



# L-Series

The T8 form factor allows the L-series products to be installed in fluorescent tube fixtures without modification (fixtures with magnetic ballast). Other installation options are cost effective, easy to install end-caps with IP64 or IP67 rating for e.g. testing purposes.

- **Typical applications**

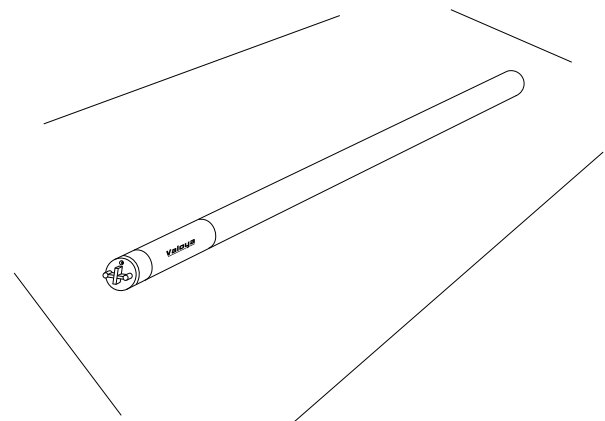
Vertical farming, tissue culture, growth chambers

- **Light intensity in typical applications**

20 ~ 150  $\mu\text{mol}/\text{m}^2/\text{s}$

- **Accessories**

Optional Valoya end-cap set with ingress protection available to order.



**Optional (IP64)**  
single



**Optional (IP64)**  
chain  
*up to 60 luminaires  
with 1 mains cable*



**Optional (IP67)**

	L28	L35*
Power consumption	28 W	35 W
Power input	110-240, 277, VAC 50/60Hz	
Weight	0,36 kg (0.79 lb)	0,44 kg (0.97 lb)
Dimensions, mm (Length / Diameter)	1198 / Ø 26	1498 / Ø 26
Dimensions, inches (Length / Diameter)	47.2 / Ø 1.02	59.0 / Ø 1.02
End-cap cable length	3 m (118")	
Certifications / Approvals	CE marked, Tested and certified to UL/CSA standards	
Distance from the plants (rec.)	< 0,5 m (20")	
Light intensity decay	Max 10% at 35 000 h. Typical usage 50 000 h	
Light efficacy, (380 - 820 nm)	Up to 2,1 $\mu\text{mol}/\text{W}$ (spectrum dependent)	
Ambient operating temperature	-10 °C - 40 °C (14 °F - 104 °F)	
* Please ask for additional models. Power connection G13; IP20 without the end-caps; RoHS compliance; 3 years limited warranty		

Typical values presented. Tolerances apply. For more detailed technical specifications please download the 'Installation Guide' from [valoya.com/brochures](http://valoya.com/brochures)